



HASCONWING SR AXIAL FANS

Variable pitch sickle profile axial impellers, diameters from 550 mm to 1100 mm

Product features

- sickle profile blades
- light aluminum alloy hub (size 5/9/12/16)
- 3/5/6/8 blades configurations
- right variable setting angles – 20° to 37,5°
- clockwise/counter-clockwise rotation
- sucking/blowing air flow
- robust, higher performances at low rpm and low noise

Applications

- Radiators
- Engine cooling systems
- Refrigeration and freezing
- Heat exchangers
- Generators
- Industrial ventilators
- Tractors
- Earth-moving machines

Blade materials

SR blades are available in different types of plastics to suit a variety of applications which require different temperatures and rotation speeds. Custom colors are available upon request.

Material	Description	Std. color	Op. temperature*
PAG	Glass-reinforced Polyamide (PA6)	White	-40°C to +120°C
PAS	Glass-reinforced Polyamide (PA6)	Black	-40°C to +120°C

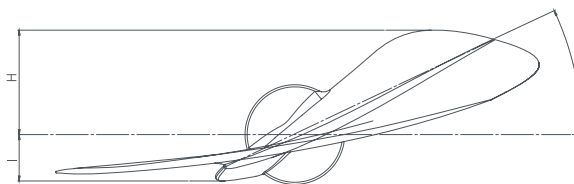
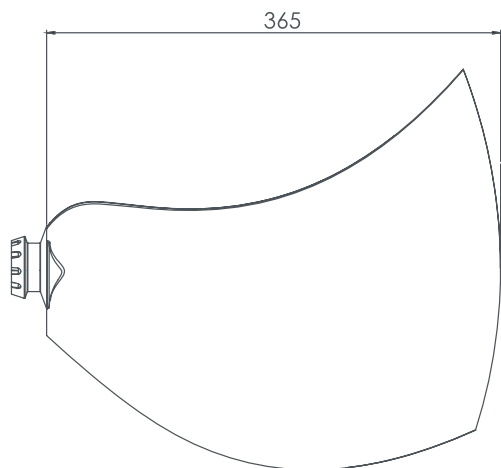
* Contact technical dpt. for further info

Specifications and dimensions

SR fans are configurable with 3/5/6/8 blades, depending on the hub. Blades are available with right variable setting angles ranging from 20° to 37,5°.

Blade	Hub	Hub Ø [mm]	MIN Ø [mm]	MAX Ø [mm]	Configurations
SR	5	150	550	875	5-5
	9	200	570	922	9-3
	12	280	625	1003	12-6
	16	375	650	1100	16-8

Dimensions by Angle								
α	20°	22,5°	25°	27,5°	30°	32,5°	35°	37,5°
H	61	64	70	74	79	83	88	92
l	27	28	31	35	42	49	58	64

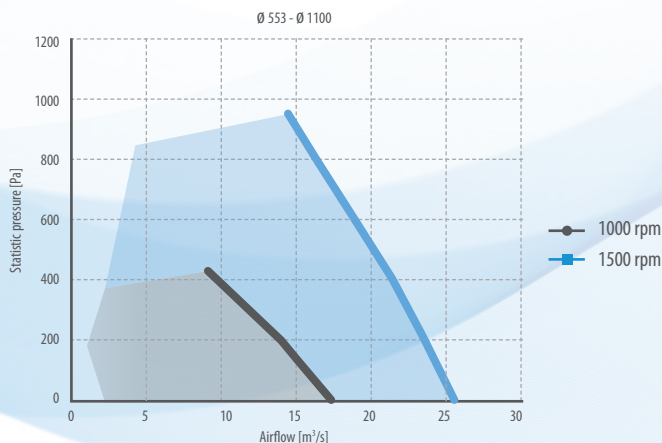


Energy efficiency

All our fans have to go through thorough testing in AMCA 210 wind tunnels and are ready to meet the requirements of the EU Directive 2020 for energy efficiency. For further info contact our technical department.

Performance diagrams

In order to select the best fans for your application and visualize their performance diagrams, please refer to Qualyfan selection software. To download Qualyfan, visit hwventilation.it or send email us at info@hwventilation.it



HW VENTILATION s.r.l. Viale dei Kennedy 81-83 • 20027 Rescaldina (MI) - ITALY
Tel. +39 0331 1558 815 • info@hwventilation.it • www.hwventilation.it



hwventilation.it